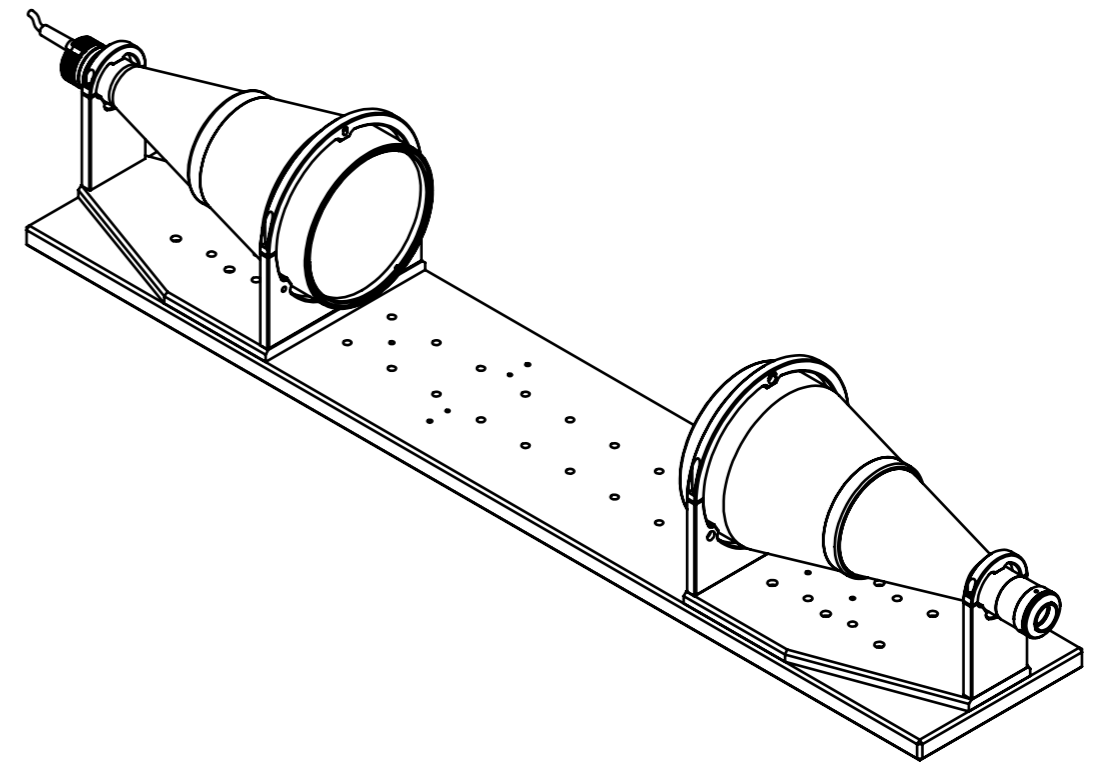
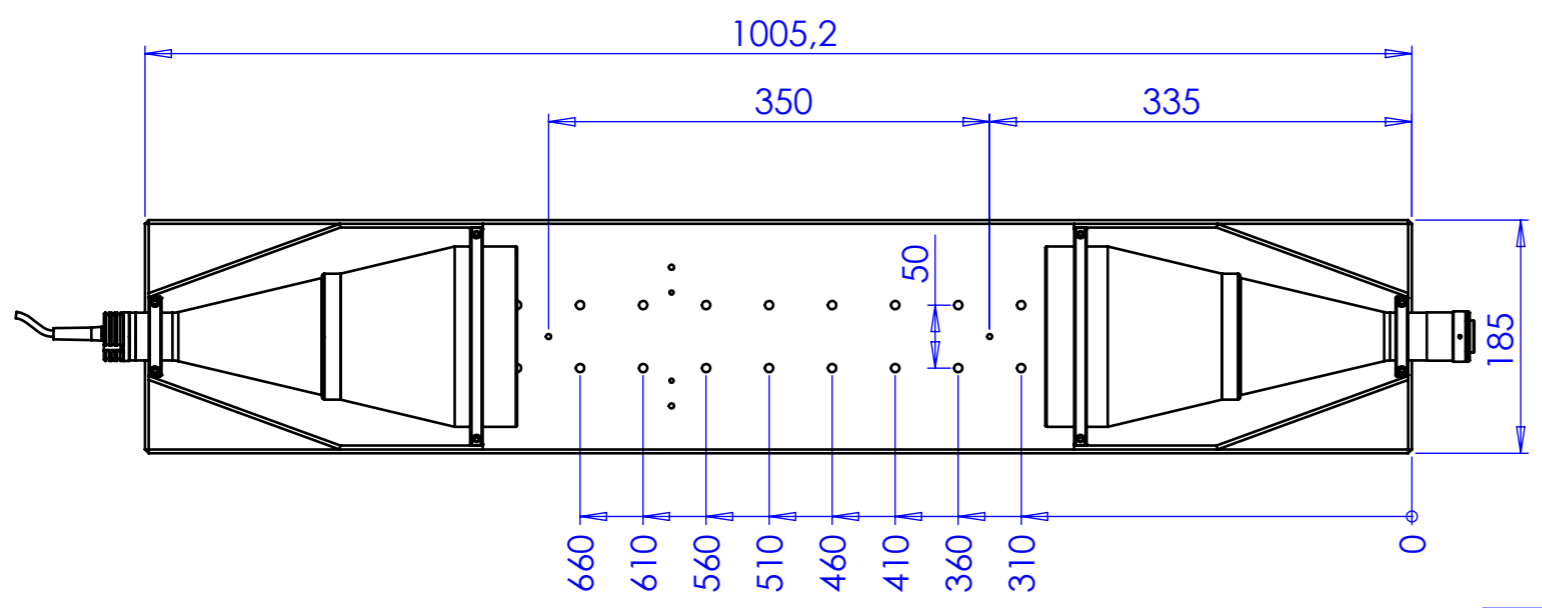
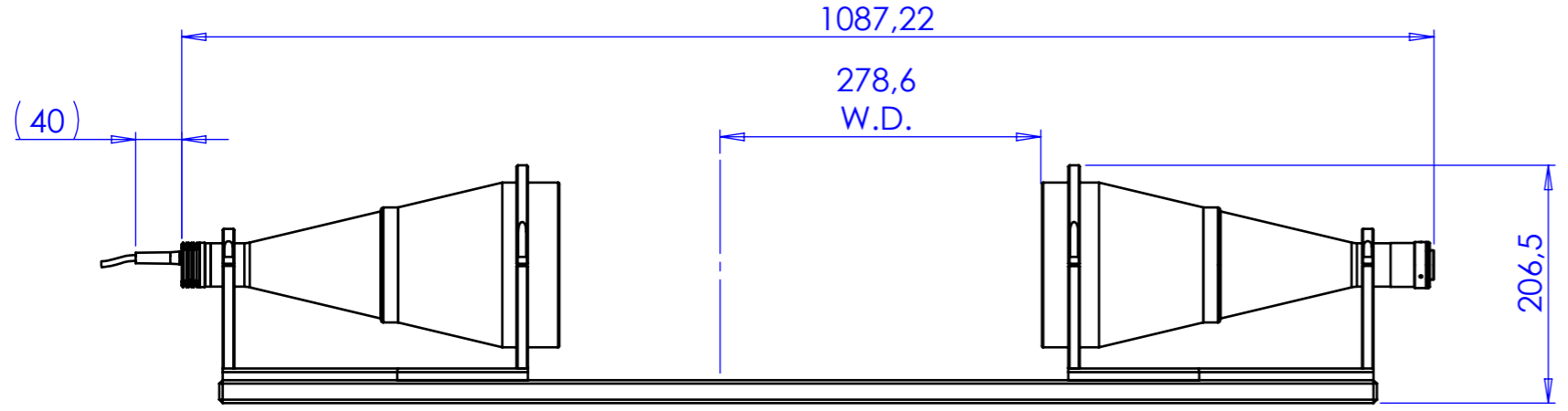


Rev No.	Description	Date	Name



W.D. = Working Distance

Material	N.A.	Mass	17147 g	Scale	1:6								
Surface treatment	N.A.	Part No.	CO24395										
Geometrical tolerance (ISO 2768-2)	Class	K	Undimensioned bevels	0,5x45°	Description <b>TCEV23096-G</b>								
Linear tolerance (ISO 2768-2)	Class	m	Undimensioned radii	R 0.5									
0.5 ±3	>3± 6	>6± 30	>30± 120	>120 ±400	>400± 1000	>1000 ±2000	>2000 ±4000	±2	Date	Name	Drawing No.	Sheet	
±0.1	±0.1	±0.2	±0.3	±0.5	±0.8	±1.2	±2	19/08/2015	Rodella	DP 24395-A	1/1		
										Designed 19/08/2015 Rodella		Checked 	
all dimensions are in mm <b>OPTO ENGINEERING S.r.l. - Mantova Italy - Tel. +39 0376 699111 - www.opto-engineering.com</b>										Secret and confidential - All rights reserved - No copy, dissemination or circulation is allowed unless specifically authorized in writing by OPTO ENGINEERING S.r.l. - Any violation shall be legally prosecuted.			